

# SD 125 EX

## Intrinsically Safe Sounder Horn

INTRINSICALLY SAFE  
SAFETY SYSTEMS



The flameproof SD125 sounder is ATEX / IECEx certified for use in potentially explosive atmospheres and provides loud warning sounds to signal alarms in tough hazardous area applications. It quickly alerts personnel to potential dangers or signals the need for immediate action in emergency situations. It is constructed from 316L stainless steel.

**ATEX / IECEx Certification:** ATEX Zone 1 and Zone 2 Certified for gas / vapour and Zone 21 and Zone 22 compliant for dust / powder applications. SIL2 compliant as IEC 61508 & IEC 61511.

**Application:** Oil and gas, chemical, petrochemical, pharmaceutical, marine and offshore applications.

**Key features:** The explosion proof sounder (horn) can be set with up to three tones among 59 prerecorded tones (according to user control system). Pausing of the signal can be done by an external switch. Robust and highly reliable, the Ex horn / sounder is designed for corrosive environments and hazardous areas. The housing is made of 316L stainless steel covered with UV resistant paint. The mounting bracket is 316L Stainless steel.

**Options:** A range of accessories is available to customise this ATEX / IECEx sounder / horn. These include pipe mounting brackets, sunshades, tag and duty labels and other accessories.



### Colour range

- red: RAL3001
- blue: RAL5005
- grey: RAL7038
- orange: RAL2010
- green: RAL6032
- yellow: RAL1018
- black: RAL9005
- yellow: RAL1018

### Classification

ATEX area zone

ATEX certificate

Standards

II 2 GD Ex db IIC T4~T6 Gb; Ex tb IIIC T135°C~T85°C

Gas zone: 1&2, Dust zone: 21&22

Nemko 13 ATEX 1562X, IECEx NEM 13.0032X

EN / IEC 60079-0, EN / IEC 60079-1,  
EN / IEC 60079-31

### Main characteristics

Enclosure material

Rated impulse withstand voltage

Power supply

Consumption

Current consumption

Signalling type

Noise level

Cables entry

Terminals

Ambient temperature

Ambient humidity (without runoff)

Enclosure protection level

Dimensions (W×H×D)

Net weight

Enclosure and bracket: Stainless steel 316L

1 kV according to IEC 61000-4-5

12-48V<sub>DC</sub>  
115-230V<sub>AC</sub> nominal (100-240V<sub>AC</sub> range)

Adjustable 5-25 W (factory setting 20W)

0.5-1 A

59 tones siren. Specific customer tones can be recorded in factory

Until 115 dB at 1 m

2× M20, 1× M25 + 1× M20,  
1× 1/2" NPT + 1× M20,  
1× 3/4" NPT + 1× M20

From 22 to 14 AWG: 0.50-2.5 mm<sup>2</sup>

T6 = -40~55°C, T5 = -40~60°C, T4 = -40~70°C

up to 95%

IP66/67

185 × 263 × 244 mm

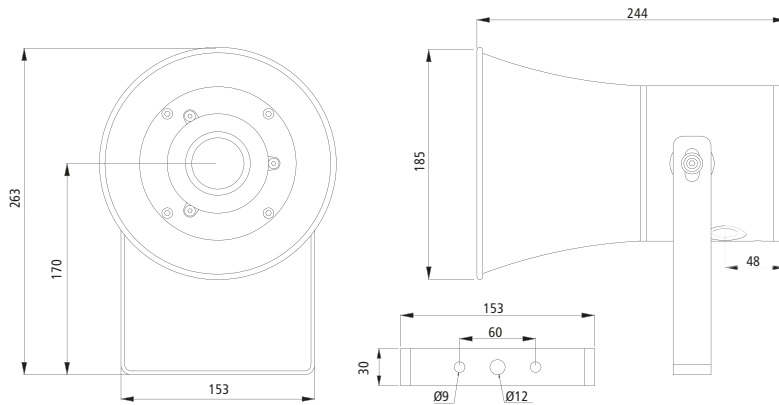
7.9 Kg



# SD 125 EX

## Intrinsically Safe Sounder Horn

INTRINSICALLY SAFE  
SAFETY SYSTEMS



Product	Certification	Supply	Duty label	Tag label	Connection	Housing colour	Standard
SD	125	DC	N	Y	A	RD	N

SD	= SOUNDER
125	= HAZARDOUS AREA
126	= NON-CERTIFIED
DC	= 12-48V DC
AC	= 100-240V AC
Y	= YES (SEE LIST)
N	= NO
Y	= YES (SEE LIST)
N	= NO
A	= 2 × M20 × 1.5
B	= 1 × M25 × 1.5 (VIA ADAPTOR) + 1 × M20
C	= 1 × 1/2" NPT (VIA ADAPTOR) + 1 × M20
D	= 1 × 3/4" NPT (VIA ADAPTOR) + 1 × M20

Additional adaptors can be supplied as well as blanking plugs and cable glands, see below.

RD	●	= RED (STD)
YW	●	= YELLOW
BU	●	= BLUE
BL	●	= BLACK
GN	●	= GREEN
GY	●	= GREY
OJ	●	= ORANGE
OR	○	= OTHER

Conduit accessories	
M20 316L St. St Exd conduit plug	SPARE3060009
M25 St. St. conduit adaptor	SPARE3060105
1/2" NPT St. St. conduit adaptor	SPARE3060108
3/4" NPT St. St. conduit adaptor	SPARE3060107
St. St Exd cable gland 7-12mm	SPARE3060108
St. St Exd cable gland 10-16mm	SPARE3060109

Conduit accessories	
M20 NPB Exd conduit plug	SPARE3060008
M25 NPB conduit adaptor	SPARE3060003
1/2" NPT NPB conduit adaptor	SPARE3060001
3/4" NPT NPB conduit adaptor	SPARE3060002
NPB Exd cable gland 7-12mm	SPARE3060019
NPB Exd cable gland 10-16mm	SPARE3060018