

BC 150 EX

Intrinsically Safe Beacon / Light

INTRINSICALLY SAFE
SAFETY SYSTEMS



The BC150 flameproof beacon is ATEX IECEx Certified for use in potentially explosive atmospheres, helping to signal alarms, alerting personnel to potential dangers or signal the need for immediate action in emergency situations. The BC150 can also be used as part of a status light array.

ATEX / IECEx Certification: ATEX Zone 1 & 2 for gas and Zone 21 & 22 for dust/powder.

SIL2 compliant as IEC 61508 & IEC 61511.

Application: Oil and gas, chemical, petrochemical, pharmaceutical, marine and offshore applications.

Key features: Robust and highly reliable, it is designed for corrosive environments and hazardous areas.

Housing is moulded in Glass-Reinforced Polyester (GRP) covered with UV resistant paint and the lens is made of borosilicate glass available with a 316L stainless steel lens guard option.

Options: This beacon can be delivered with two different light sources; four flashing frequencies are selectable: LED with steady, rotary or flashing options of different intensity or Flashing with XENON tube of different intensity. A range of accessories is available to customise this product. These include pipe mounting brackets, sunshades, tag and duty labels and other accessories.



Colour range

- red: RAL3001
- yellow: RAL1018
- orange: RAL2010
- green: RAL6032
- grey: RAL7038
- blue: RAL5005
- black: RAL9005

Classification

ATEX area zone

ATEX certificate

Standards

II 2 GD Ex db IIC T4~T6 Gb; Ex tb IIIC T135°C~T85°C

Gas zone: 1&2, Dust zone: 21&22

Presafe 16 ATEX 8967X, IECEx PRE 16.0087X

EN / IEC 60079-0, EN / IEC 60079-1,

EN / IEC 60079-31

Main characteristics

Enclosure material

Light type

Lens colour (light intensity coefficient)

True light intensity

Peak light intensity

Blinking or rotary frequency

Lifetime

Power supply

Rated impulse withstand voltage

Consumption

Current consumption

Cables entry

Terminals

Ambient temperature

Ambient humidity (without runoff)

Enclosure protection level

Dimensions (W×H×D)

Net weight

Enclosure: Glass-Reinforced Polyester (GRP),

Lens: Tempered borosilicate glass 3.3

LED or Flash Tube (Xenon)

Red (0.15), Amber (0.51), Blue (0.12), Green (0.49),
Yellow (0.85), Clear (1.00)

LED: 126-312 Cd, Xenon: 109-424 Cd

LED: 126-312 Cd, Xenon: 35970-95824 Cd

LED: 60-100 times/min, Xenon: 60-180 times/min

LED: >50 000 hrs, Xenon: ↓ to 70% after 8M flashes

12-48V_{DC}, 115-230V_{AC} nominal (100-240V_{AC} range)

1 kV according to IEC 61000-4-5

LED: 5-10 W, Xenon: 10-25W

LED: 40-1100 mA, Xenon: 35-1200 mA

4× M20, 1× M25 + 3× M20,
1× 1/2" NPT + 3× M20, 1× 3/4" NPT + 3× M20

From 22 to 14 AWG: 0.50-2.5 mm²

T6 = -40~55°C, T5 = -40~60°C, T4 = -40~70°C

up to 95%

IP66/67

150 × 212 × 150 mm

3.6 Kg



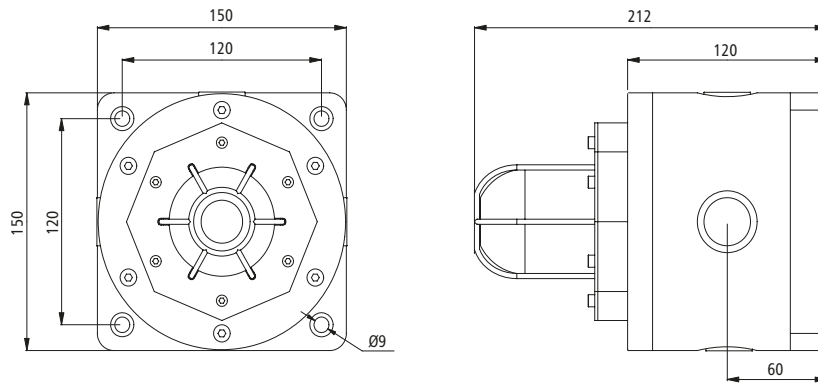
Paweł Piasecki
office@atexcertified.eu
ph. +48 693 345 823

Ex-tech[®]
SIGNALLING

BC 150 EX

Intrinsically Safe Beacon / Light

INTRINSICALLY SAFE
SAFETY SYSTEMS



Product	Certification	Lens colour	Light type	Supply	Duty label	Tag label	Lens guard	Connection	Housing colour	Standard
BC	150	R	X10	DC	N	Y	Y	A	RD	N

BC = BEACON	N/A
150 = HAZARDOUS AREA	
151 = NON-CERTIFIED	
R ● = RED	RD ● = RED (STD)
A ● = AMBER	YW ● = YELLOW
B ● = BLUE	BU ● = BLUE
G ● = GREEN	BL ● = BLACK
Y ● = YELLOW	GN ● = GREEN
C ○ = CLEAR	GY ● = GREY
	OJ ● = ORANGE
	OR ○ = OTHER
X05 = XENON 5J	A = 4 × M20 × 1.5
L05 = LED 5W	B = 1 × M25 × 1.5 + 3 × M20 × 1.5
X10 = XENON 10J	C = 1 × 1/2" NPT + 3 × M20 × 1.5
L10 = LED 10W	D = 1 × 3/4" NPT + 3 × M20 × 1.5
X15 = XENON 15J	Additional adaptors can be supplied as well as blanking plugs and cable glands, see below.
X21 = XENON 21J	
DC = 12-48V DC	Y = YES
AC = 100-240V AC	N = NO
Y = YES (SEE LIST)	Y = YES
N = NO	N = NO

Conduit accessories	
M20 316L St. St Exd conduit plug	SPARE3060009
M25 St. St. conduit adaptor	SPARE3060105
1/2" NPT St. St. conduit adaptor	SPARE3060108
3/4" NPT St. St. conduit adaptor	SPARE3060107
St. St Exd cable gland 7-12mm	SPARE3060108
St. St Exd cable gland 10-16mm	SPARE3060109

Conduit accessories	
M20 NPB Exd conduit plug	SPARE3060008
M25 NPB conduit adaptor	SPARE3060003
1/2" NPT NPB conduit adaptor	SPARE3060001
3/4" NPT NPB conduit adaptor	SPARE3060002
NPB Exd cable gland 7-12mm	SPARE3060019
NPB Exd cable gland 10-16mm	SPARE3060018