



The flameproof CP135 evacuation button is ATEX / IECEx certified for use in potentially explosive atmospheres. It can be used in conjunction with a fire alarm system will activate alarms to alert personnel to potential dangers, help signal the need for immediate action in emergency situations and more.

Also known as explosion proof fire alarm call point, manual call point (MCP) or "Break Glass" call point.

**ATEX / IECEx Certification:** ATEX Zone 1 and Zone 2 Certified for group IIB +H2 gas / vapour applications and Zone 21 and Zone 22 compliant for dust / powder applications. SIL2 compliant as IEC 61508 & IEC 61511.

**Application:** Oil and gas, chemical, petrochemical, pharmaceutical, marine and offshore applications

**Key features:** Robust and highly reliable, this Ex manual call point (MCP) / Break Glass call point is designed for corrosive environments and hazardous areas. The housing is moulded in Glass-Reinforced Polyester (GRP), protected by an UV resistant paint. These ATEX / IECEx compliant manual call points / "Break Glass" call points are compatible with PLC, ESD and DCS systems. There is a built in test function.

**Options:** Visualisation functions, line detection, glass protection and hammer are optional. A range of accessories is available to customise this ATEX / IECEx manual call point / "Break Glass" call point. These include pipe mounting brackets, sunshades, tag and duty labels and other accessories.



### Colour range

- red: RAL3001/3028
- blue: RAL5005
- grey: RAL7038
- orange: RAL2010
- green: RAL6032
- yellow with black stripes: RAL1018 + RAL1005
- black: RAL9005
- yellow: RAL1018

### Classification

ATEX area zone

ATEX certificate

Standards

II 2 GD Ex d IIB + H2 T6 Gb; Ex tb IIIC T85°C

Gas zone: 1&2, Dust zone: 21&22

Nemko 13 ATEX 1568X, IECEx NEM 13.0038X

EN/IEC 60079-0, EN/IEC 60079-1,  
EN/IEC 60079-31/ EN 54-11

### Main characteristics

Enclosure material

Rated impulse withstand voltage

Contact type

Rating (resistive load)

Minimum voltage and current

Shorts circuit protection

Cables entry

Terminals

Line resistor (optional)

Signalling LED (optional)

Ambient temperature

Ambient humidity (without runoff)

Enclosure protection level

Dimensions (W×H×D)

Net weight

Glass-Reinforced Polyester (GRP)

1 kV according to IEC 61000-4-5

1 × C/O or 2 × C/O (1)

125/250V<sub>AC</sub> (50/60Hz) = 11A; 30V<sub>DC</sub> = 6A;  
125V<sub>DC</sub> = 0,3A; 250V<sub>DC</sub> = 0,6A

5V<sub>DC</sub> 10mA

10 A gG

2 × M20, 1 × M25 + 1 × M20,  
1 × 1/2" NPT + 1 × M20,  
1 × 3/4" NPT + 1 × M20

From 22 to 14 AWG: 0.50-2.5 mm<sup>2</sup>

470 Ohms • 1 Watt

Green U = 24V<sub>DC</sub> I = 10 mA; Red U = 24V<sub>DC</sub> I = 20mA

T6 = -40~55°C, T5 = -40~60°C, T4 = -40~70°C

up to 95%

IP67

135 × 135 × 84 mm

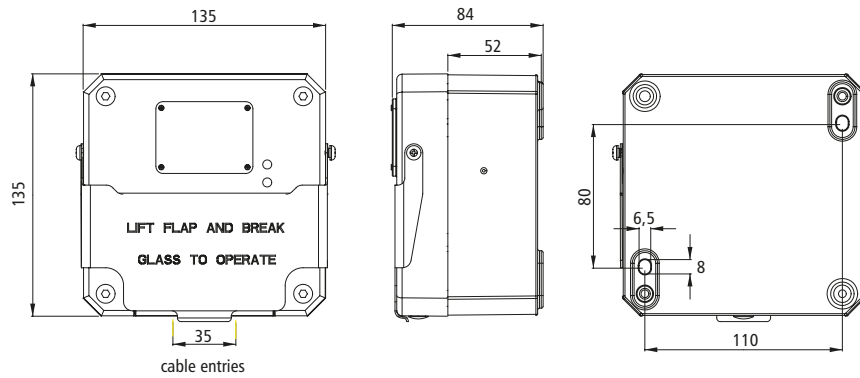
2.0 Kg



# CP 135 EX

## Intrinsically Safe Evacuation Button

INTRINSICALLY SAFE  
SAFETY SYSTEMS



Product	Certification	Switches	Duty label	Tag label	LED indicator	Features	Connection	Entry position	Housing
---------	---------------	----------	------------	-----------	---------------	----------	------------	----------------	---------

**CP 135 S N Y L FRD A T RD**

CP = CALL POINT  
135 = HAZARDOUS AREA  
136 = NON-CERTIFIED

S = 1  
D = 2  
Y = YES (SEE LIST)  
N = NO

Y = YES  
N = NO

L = RED & GREEN  
R = RED  
G = GREEN  
N = NO LED

F = LIFT FLAP  
R = RESISTOR(S)  
D = DIODE(S)  
N = NO FEATURES

RD ● = RED (STD)  
YW ● = YELLOW  
BU ● = BLUE  
BL ● = BLACK  
GN ● = GREEN  
GY ● = GREY  
YB ● = YELLOW & BLACK  
OJ ● = ORANGE  
OR ○ = OTHER

T = TOP  
B = BOTTOM

A = 2 × M20 × 1.5  
B = 1 × M25 × 1.5 + 1 × M20 × 1.5  
C = 1 × 1/2" NPT + 1 × M20 × 1.5  
D = 1 × 3/4" NPT + 1 × M20 × 1.5

Additional adaptors can be supplied as well as blanking plugs and cable glands, see below.

Conduit accessories	
M20 316L St. St Exd conduit plug	SPARE3060009
M25 St. St. conduit adaptor	SPARE3060105
1/2" NPT St. St. conduit adaptor	SPARE3060108
3/4" NPT St. St. conduit adaptor	SPARE3060107
St. St Exd cable gland 7-12mm	SPARE3060108
St. St Exd cable gland 10-16mm	SPARE3060109

Conduit accessories	
M20 NPB Exd conduit plug	SPARE3060008
M25 NPB conduit adaptor	SPARE3060003
1/2" NPT NPB conduit adaptor	SPARE3060001
3/4" NPT NPB conduit adaptor	SPARE3060002
NPB Exd cable gland 7-12mm	SPARE3060019
NPB Exd cable gland 10-16mm	SPARE3060018